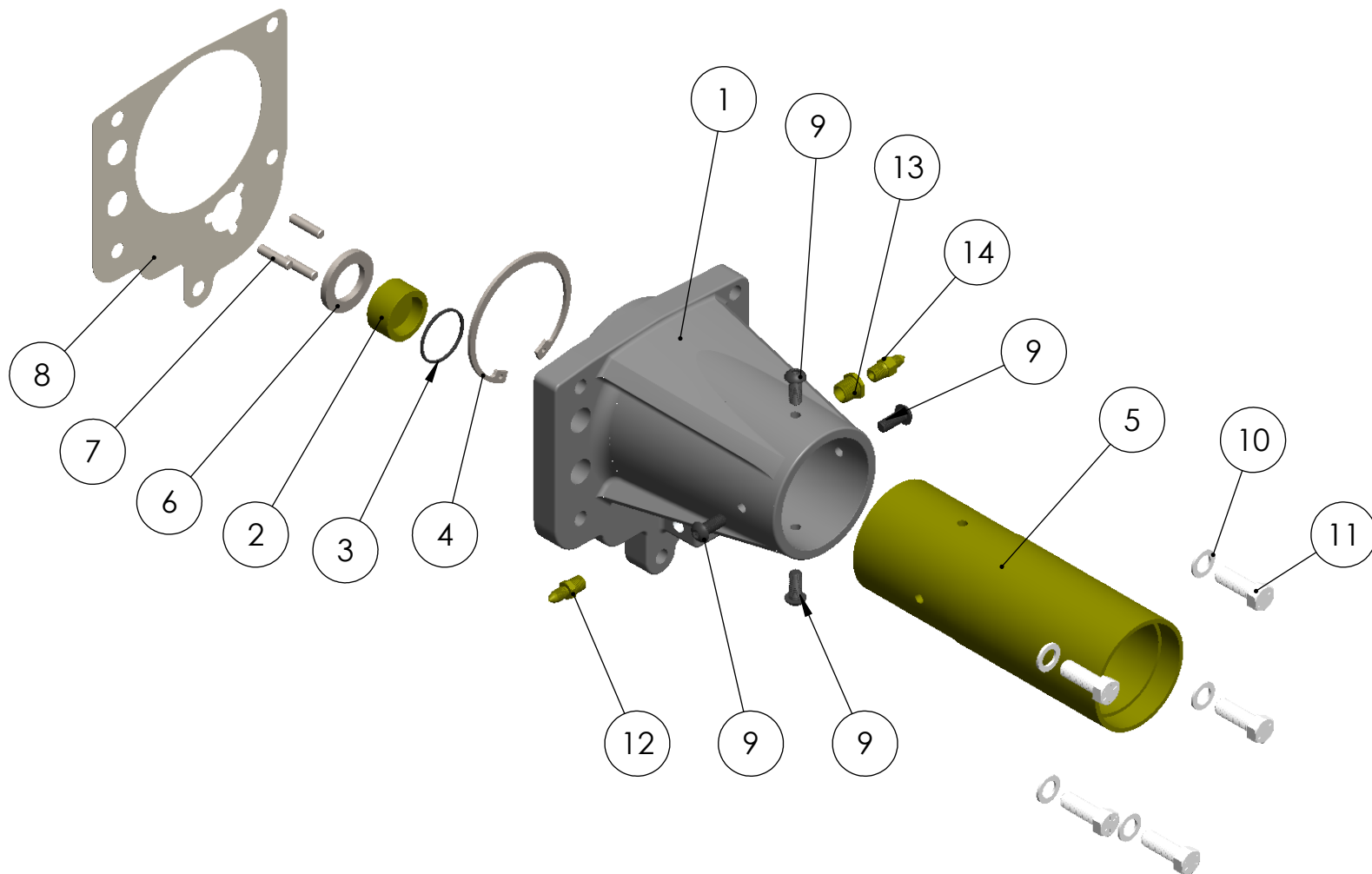


B

B



TITLE:
Tailshaft Assembly

REV

PART# Explode

A

PROPRIETARY AND CONFIDENTIAL

THE INFORMATION CONTAINED IN THIS DRAWING IS THE SOLE PROPERTY OF JERICO PERFORMANCE PRODUCTS. ANY REPRODUCTION IN PART OR AS A WHOLE WITHOUT THE WRITTEN PERMISSION OF JERICO PERFORMANCE PRODUCTS IS PROHIBITED.

DO NOT SCALE DRAWING

UNLESS OTHERWISE SPECIFIED:

DIMENSIONS ARE IN INCHES
TOLERANCES:
ANGULAR: MACH $\pm .25$
BEND $\pm .25$
ONE PLACE DECIMAL ± 0.1
TWO PLACE DECIMAL ± 0.01
THREE PLACE DECIMAL ± 0.005

	DRAWN	SHEET 1 OF 2
NAME	T. Herr	SCALE: 1:8
DATE	11-8-21	(704) 782-4343
SIZE	A	443 Pitts School Rd NW, Concord, NC 28027



2

1

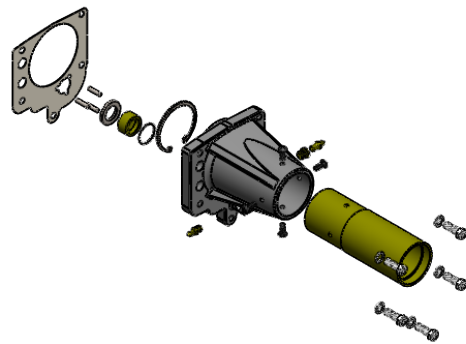
ITEM NO.	PART NUMBER	DESCRIPTION	QTY.
1	JER-0030	Dirt Tailhousing	1
2	JER-0038	Clutch Piston	1
3	JER-0037	O-Ring 219	1
4	JER-0032	Main Shaft Bearing Snap Ring	1
5	JER-0031	Tailhousing Tube	1
6	JER-0039	Clutch Piston Spacer	1
7	JER-0040	Clutch Pin	3
8	JER-0041	Tailhousing Gasket	1
9	JER-0034	Button Head Hex Drive Screws	4
10	JER-7/16 AN	7/16 AN Washer	5
11	JER-0042	Grade 8 Steel Hex Screw	5
12	JER-0035	1/8x#4 Fitting	1
13	JER-0036	Bleed Screw Fitting	1
14	JER-0036	Bleed Screw Fitting	1

B

B

A

A



TITLE:	Tailshaft Assembly	REV
PART#	BOM	

PROPRIETARY AND CONFIDENTIAL

THE INFORMATION CONTAINED IN THIS DRAWING IS THE SOLE PROPERTY OF JERICO PERFORMANCE PRODUCTS. ANY REPRODUCTION IN PART OR AS A WHOLE WITHOUT THE WRITTEN PERMISSION OF JERICO PERFORMANCE PRODUCTS IS PROHIBITED.

DO NOT SCALE DRAWING

UNLESS OTHERWISE SPECIFIED:
 DIMENSIONS ARE IN INCHES
 TOLERANCES:
 ANGULAR: MACH ± .25
 BEND ±.25
 ONE PLACE DECIMAL ±0.1
 TWO PLACE DECIMAL ±0.01
 THREE PLACE DECIMAL ±0.005

	DRAWN	SHEET 2 OF 2
NAME	T. Herr	SCALE: 1:8
DATE		(704) 782-4343
SIZE	A	443 Pitts School Rd NW, Concord, NC 28027

