

TITLE:		
Extended Glide Assembly		REV
PART#	Explode	

PROPRIETARY AND CONFIDENTIAL THE INFORMATION CONTAINED IN THIS DRAWING IS THE SOLE PROPERTY OF JERICO PERFORMANCE PRODUCTS. ANY REPRODUCTION IN PART OR AS A WHOLE WITHOUT THE WRITTEN PERMISSION OF JERICO PERFORMANCE PRODUCTS IS PROHIBITED. DO NOT SCALE DRAWING	UNLESS OTHERWISE SPECIFIED: DIMENSIONS ARE IN INCHES TOLERANCES: ANGULAR: MACH ± .25 BEND ±.25 ONE PLACE DECIMAL ±0.1 TWO PLACE DECIMAL ±0.01 THREE PLACE DECIMAL ±0.005	DRAWN	SHEET 1 OF 2
		NAME	T. Herr
		DATE	11-6-21
		SIZE	A
		(704) 782-4343 443 Pitts School Rd NW, Concord, NC 28027	



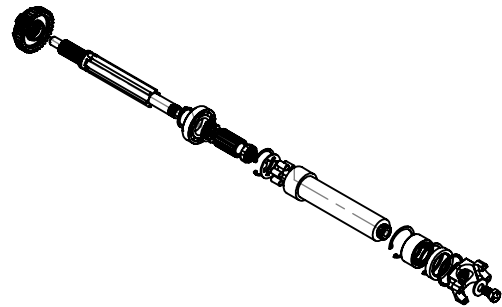
B

B

ITEM NO.	PART NUMBER	DESCRIPTION	QTY.
1	JER-0066	Main Shaft	1
2	JER-0062	Internal Snap Ring	2
3	JER-0059	208 Bearing	1
4	JER-0029	Low-High Slider	1
5	JER-0089	Dowel Retainer	1
6	JER-0088	Extended Glide Pins	6
7	JER-0090	Dowel Stop	1
8	JER-0091	Splined Aluminum Spacer	1
9	JER-0081	Nylon-Insert Locknut	1
10	JER-0082	Slip Tube	1
11	JER-0083	Internal Snap Ring 47	1
12	JER-0073	Tailhousing Interanal Snap Ring	2
13	JER-0084	Needle-Roller Bearing	1
14	JER-0085	Rear Seal	1
15	JER-0033	2 3/4 Spirallock	1
16	JER-0086	Extended Glide Yoke	1
17	JER-0087	Concave Washer	1
18	JER-5/8-18x1	5/8-18x1 Bolt	1

A

A



TITLE:		REV
Extended Glide Assembly		
PART#	BOM	

<p>PROPRIETARY AND CONFIDENTIAL</p> <p>THE INFORMATION CONTAINED IN THIS DRAWING IS THE SOLE PROPERTY OF JERICO PERFORMANCE PRODUCTS. ANY REPRODUCTION IN PART OR AS A WHOLE WITHOUT THE WRITTEN PERMISSION OF JERICO PERFORMANCE PRODUCTS IS PROHIBITED.</p> <p>DO NOT SCALE DRAWING</p>	<p>UNLESS OTHERWISE SPECIFIED:</p> <p>DIMENSIONS ARE IN INCHES</p> <p>TOLERANCES:</p> <p>ANGULAR: MACH ± .25</p> <p>BEND ±.25</p> <p>ONE PLACE DECIMAL ±0.1</p> <p>TWO PLACE DECIMAL ±0.01</p> <p>THREE PLACE DECIMAL ±0.005</p>	<p>DRAWN</p> <p>T. Herr</p>	<p>SHEET 2 OF 2</p> <p>SCALE: 1:12</p>	
		<p>NAME</p>	<p>DATE</p> <p>11-6-21</p>	<p>(704) 782-4343</p> <p>443 Pitts School Rd NW,</p> <p>Concord, NC 28027</p>
		<p>SIZE</p> <p>A</p>		