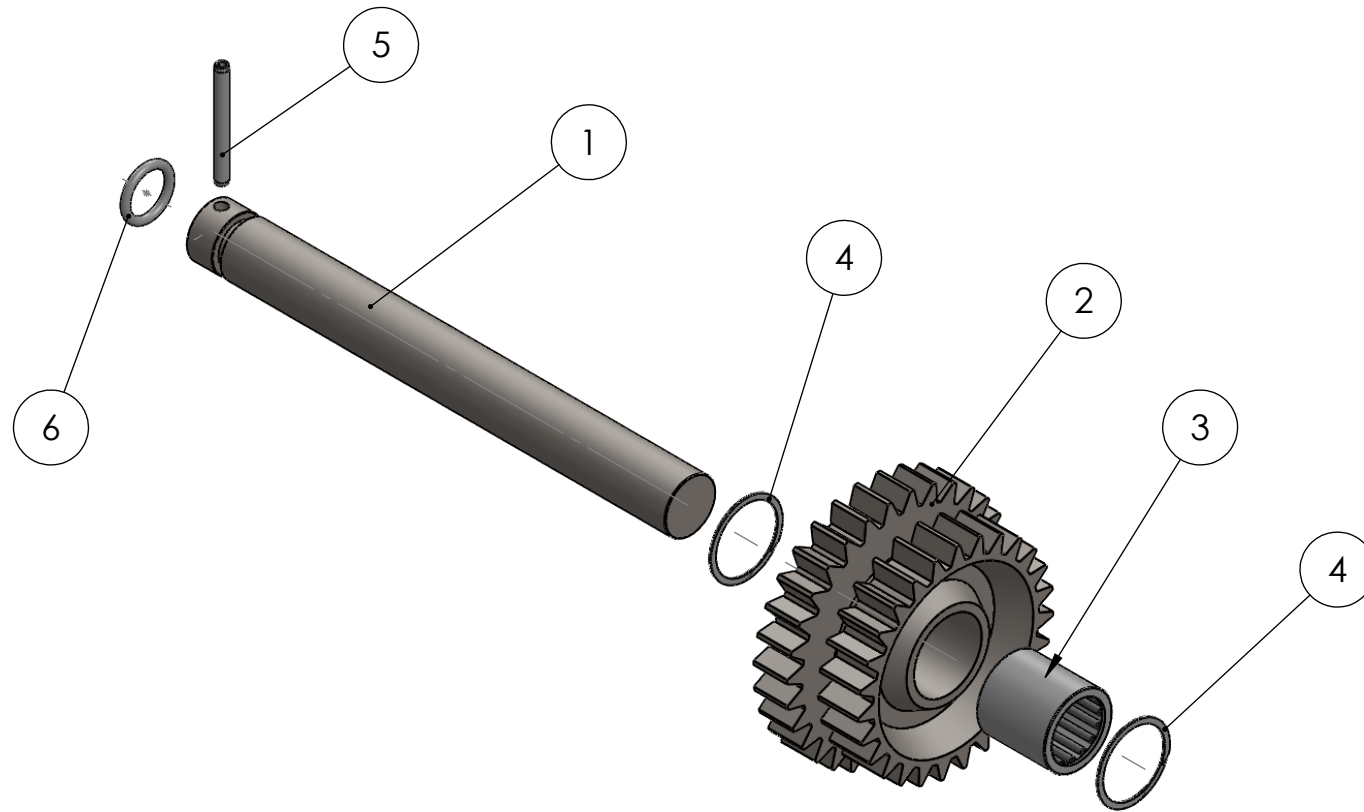


B

B



A

A

TITLE:	Reverse Counter Shaft Assembly	REV
PART#	Explode	

PROPRIETARY AND CONFIDENTIAL

THE INFORMATION CONTAINED IN THIS DRAWING IS THE SOLE PROPERTY OF JERICO PERFORMANCE PRODUCTS. ANY REPRODUCTION IN PART OR AS A WHOLE WITHOUT THE WRITTEN PERMISSION OF JERICO PERFORMANCE PRODUCTS IS PROHIBITED.

DO NOT SCALE DRAWING

UNLESS OTHERWISE SPECIFIED:
 DIMENSIONS ARE IN INCHES
 TOLERANCES:
 ANGULAR: MACH ± .25
 BEND ±.25
 ONE PLACE DECIMAL ±0.1
 TWO PLACE DECIMAL ±0.01
 THREE PLACE DECIMAL ±0.005

	DRAWN	SHEET 1 OF 2
NAME	T. Herr	SCALE: 1:4
DATE	11-7-21	(704) 782-4343
SIZE	A	443 Pitts School Rd NW,
		Concord, NC 28027



2

1

2

1

2

1

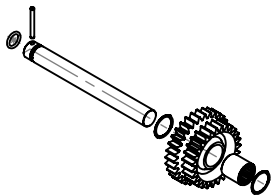
ITEM NO.	PART NUMBER	DESCRIPTION	QTY.
1	JER-0061	Reverse Idler Pin	1
2	JER-0024	Reverse Idler Gear	1
3	JER-0018	Needle Roller Bearing	1
4	JER-0020	Internal Spirallock .097	2
5	JER-0028	Roll Pin	1
6	JER-0026	112 O-Ring	1

B

B

A

A



TITLE:	Reverse Counter Shaft Assembly	REV
PART#	BOM	

<p>PROPRIETARY AND CONFIDENTIAL</p> <p>THE INFORMATION CONTAINED IN THIS DRAWING IS THE SOLE PROPERTY OF JERICO PERFORMANCE PRODUCTS. ANY REPRODUCTION IN PART OR AS A WHOLE WITHOUT THE WRITTEN PERMISSION OF JERICO PERFORMANCE PRODUCTS IS PROHIBITED.</p> <p>DO NOT SCALE DRAWING</p>	<p>UNLESS OTHERWISE SPECIFIED:</p> <p>DIMENSIONS ARE IN INCHES</p> <p>TOLERANCES:</p> <p>ANGULAR: MACH ± .25</p> <p>BEND ±.25</p> <p>ONE PLACE DECIMAL ±0.1</p> <p>TWO PLACE DECIMAL ±0.01</p> <p>THREE PLACE DECIMAL ±0.005</p>	<p>DRAWN</p> <p>T. Herr</p>	<p>SHEET 2 OF 2</p> <p>SCALE: 1:4</p>
		<p>NAME</p> <p>DATE</p> <p>SIZE A</p>	<p>(704) 782-4343</p> <p>443 Pitts School Rd NW,</p> <p>Concord, NC 28027</p>

2

1