

<b>TITLE:</b>	<b>Case Assembly</b>	REV
<b>PART#</b>	<b>Explode</b>	

**PROPRIETARY AND CONFIDENTIAL**

THE INFORMATION CONTAINED IN THIS DRAWING IS THE SOLE PROPERTY OF JERICO PERFORMANCE PRODUCTS. ANY REPRODUCTION IN PART OR AS A WHOLE WITHOUT THE WRITTEN PERMISSION OF JERICO PERFORMANCE PRODUCTS IS PROHIBITED.

DO NOT SCALE DRAWING

UNLESS OTHERWISE SPECIFIED:  
 DIMENSIONS ARE IN INCHES  
 TOLERANCES:  
 ANGULAR: MACH ± .25  
 BEND ±.25  
 ONE PLACE DECIMAL ±0.1  
 TWO PLACE DECIMAL ±0.01  
 THREE PLACE DECIMAL ±0.005

	DRAWN	SHEET 1 OF 2
NAME	T. Herr	SCALE: 1:8
DATE	11-11-21	(704) 782-4343
	SIZE	443 Pitts School Rd NW, Concord, NC 28027



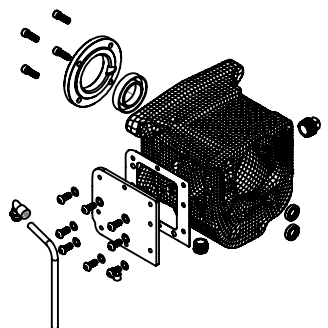
ITEM NO.	PART NUMBER	DESCRIPTION	QTY.
2	JER-0001	Case	1
3	JER-0058	Freeze Plug	2
4	JER-0022	Front Bearing Retainer	1
5	JER-0022	Front Seal	1
6	JER-0054	Side Cover Gasket	1
7	JER-0055	Side Cover	1
8	JER-0056	Button Head Screw	4
9	JER-5/16AN	Top Cover Washer	8
10	JER-5/16-18x7/8	Top Cover Bolt	8
11	JER-0080	Steel Loop Clamp	1
12	JER-0003	Hex Drain Plug	1
13	JER-1/2DP	Drain Plug	1
14	JER-0049	Pipe Breather Fitting	1
15	JER-0057	Breather Tube	1
16	JER-0002	Shift Rail Seal	2

B

B

A

A



<b>TITLE:</b>	<b>Case Assembly</b>	REV
<b>PART#</b>	<b>BOM</b>	

**PROPRIETARY AND CONFIDENTIAL**

THE INFORMATION CONTAINED IN THIS DRAWING IS THE SOLE PROPERTY OF JERICO PERFORMANCE PRODUCTS. ANY REPRODUCTION IN PART OR AS A WHOLE WITHOUT THE WRITTEN PERMISSION OF JERICO PERFORMANCE PRODUCTS IS PROHIBITED.

DO NOT SCALE DRAWING

UNLESS OTHERWISE SPECIFIED:  
 DIMENSIONS ARE IN INCHES  
 TOLERANCES:  
 ANGULAR: MACH ± .25  
 BEND ±.25  
 ONE PLACE DECIMAL ±0.1  
 TWO PLACE DECIMAL ±0.01  
 THREE PLACE DECIMAL ±0.005

	DRAWN	SHEET 2 OF 2
NAME	T. Herr	SCALE: 1:8
DATE	11-11-21	(704) 782-4343
SIZE	<b>A</b>	443 Pitts School Rd NW, Concord, NC 28027

